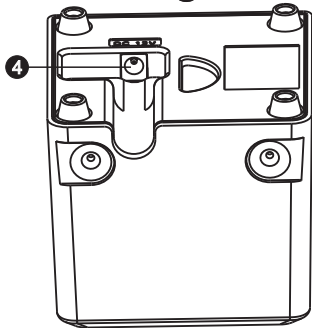
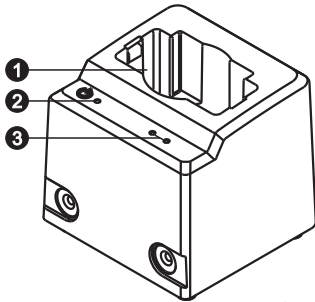


Single Slot Transmitter Charging Station

I. Parts Name



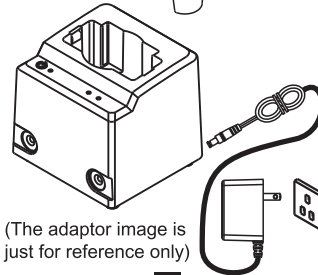
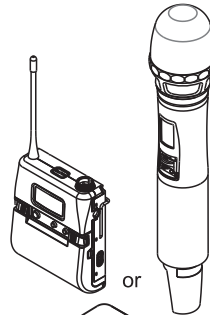
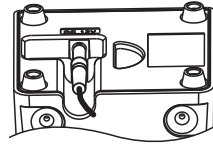
- ❶ Charging Slot
- ❷ Power Indicator
- ❸ Charging Indicator
- ❹ DC Power Jack: center electrode connected to the positive voltage.

1

Single Slot Transmitter Charging Station

II. Operating Instructions

1. To connect to the DC power jack of MP-800, push the DC output plug of the adaptor all the way following the channel guide.



(The adaptor image is just for reference only)

2

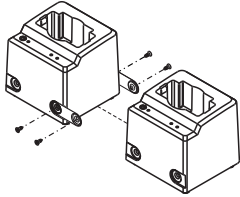
Single Slot Transmitter Charging Station

2. Power Indicator: indicator glows when the power supply is plugged in and work normally.
3. Insert the transmitters into the charging station in the correct direction.
4. Charging Indicator: red light denotes charging; green light denotes full charge. No light when no transmitter is inserted.
5. Cautions:
 - (A) Be sure to use the designated MIPRO power supply to avoid inadequate voltage or current. Ensure input supply voltage must not exceed a specified value to avoid damage to the charger, rechargeable batteries and transmitters. MIPRO's switching power supply has an output rating of 12 V / 0.5 A.
 - (B) Power off the charger before charging.
 - (C) Do not use undesignated charger to avoid possible danger.
6. Note: Refer to the actual product in the event of product description discrepancy.

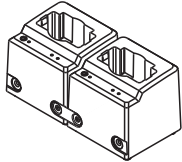
3

III. Assembly of Multiple Charging Stations

1. Align connecting plates between two charging stations.
Fasten screws.



2. A dual charging station is complete.



3. Repeat the same step to assemble more charging stations.



MP-800 Single Slot Transmitter Charging Station

User Guide



MIPRO Electronics Co., Ltd

Headquarters: No. 814, Beigang Rd., Chiayi City 600079, Taiwan
Tel : +886 5 238 0809 Fax : +886 5 238 0803
www.mipro.com.tw mipro@mipro.com.tw



All rights reserved. Do not copy or forward without prior approvals of MIPRO. Specifications and design subject to change without notice. YM 023/01



2CE686A