


+30
YEARS of
Expertise

 **PHOENIX**
PROFESSIONAL-AUDIO


2-WAY
COAXIAL
CHASSIS

DL-C *series*

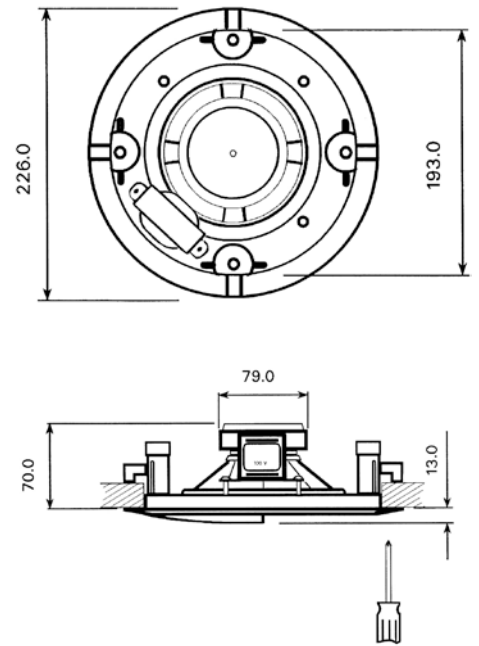
CEILING SPEAKERS



© 2025 Phoenix Professional Audio GmbH | All rights reserved - Technical changes and errors excepted.



www.phoenix-pa.com



DL-C series

Ceiling Built-in Speakers with 2-Way Coaxial Chassis

THEFT-PROOF DESIGN **QUICK CEILING INSTALLATION** **HIGH EFFICIENCY**

Ceiling built-in speakers, 10 W / 20 W / 30 W (depending on the model), 100 V, 2-way system, 6 1/2" 2-way coaxial chassis.

The **DL-C public address speakers** are perfect for ceiling installation. The series is highly efficient and has excellent acoustic properties.

The mounting frame with holding parts is made of high quality plastic material, the perforated plate is made of coated steel. The speakers are designed to be theft-proof.

The DL-C speakers are equipped with a high-quality 6 1/2" 2-way coaxial chassis and are particularly suitable for voice and background music reproduction. The 2-way coaxial chassis has a very broadband designed base membrane, in which a separate tweeter is integrated.

Thanks to the quick-action lock, a very fast ceiling installation can be guaranteed.

Models

- DL-110-C**.....Built-in speaker (2-way), 10 W
- DL-120-C**.....Built-in speaker (2-way), 20 W
- DL-130-C**.....Built-in speaker (2-way), 30 W

- 2-way coaxial chassis
- Excellent speech and music reproduction
- Theft-proof
- Easy construction
- Unobtrusive design
- Quick-action lock for fast ceiling installation



Fig.: 2-way coaxial chassis

Specials

The DL-C series is available in white color.

Technical Details	DL-110-C	DL-120-C	DL-130-C
Rated power	10 W	20 W	30 W
Adjustments at 100V	10-5-2.5 W	20-10-5W	30-15-7.5W
Frequ. range in Hz (± 10dB)	45-20.000	35-20.000	35-20.000
Sound pressure at 1W / 1m	93 dB	92 dB	92 dB
Sound pressure SPL Pmax / 1m	104dB@6kHz	106dB@6kHz	108dB@6kHz
Beam angle (-6dB) 1/4/8 kHz	180° / 80° / 110°		
Speaker Ø / impedance	165 mm / 8 Ohm, 2-way coaxial chassis		
Outside dimensions Ø, Installation depth max.	226 (70) mm		
Weight (kg)	approx. 1,8	approx. 1,9	approx. 2,1



ONLINESHOP *Link:*



[DL-C series >>](#)



www.phoenix-pa.com • www.phoenix-pa.com/shop

Tel.: +49 (0) 8062 908 49 84 | Fax: +49 (0) 8062 728 37 37 | E-Mail: info@phoenix-pa.com

PHOENIX PROFESSIONAL AUDIO GMBH

Hermann-Oberth-Str. 12
D-83052 Bruckmühl / Germany